



ASSEMBLY INSTRUCTION

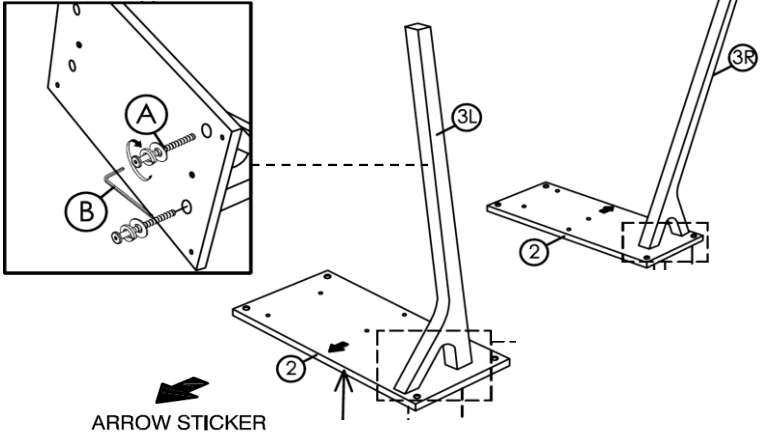
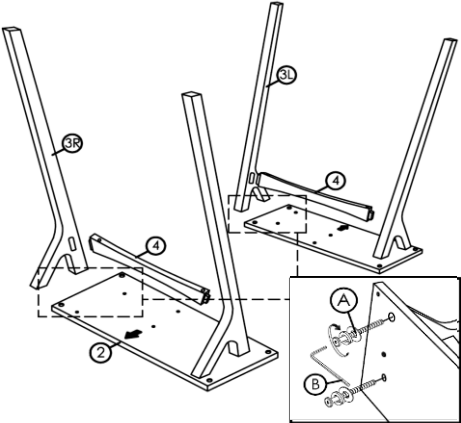
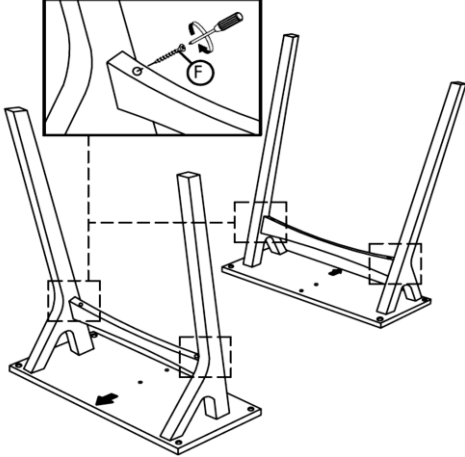
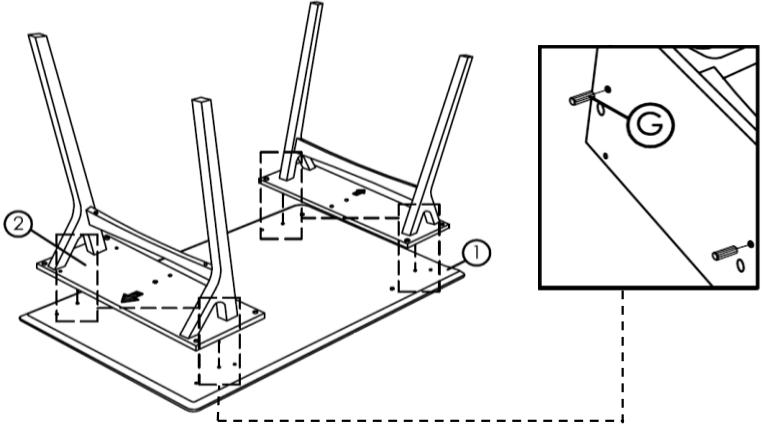
Product Name: **HAISLEY DINING TABLE**

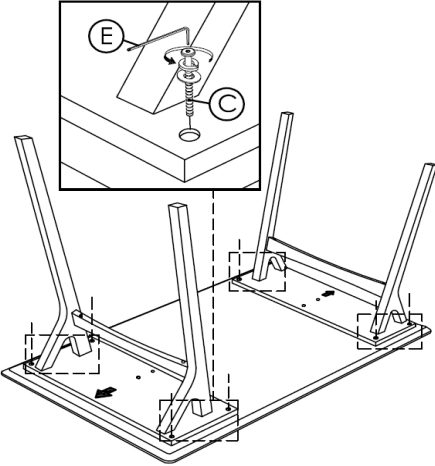
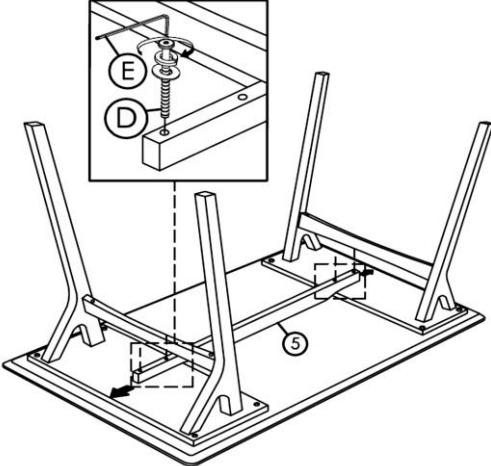

PARTS LIST

Before you begin, please layout all parts and ensure you have the correct count.

NO.	DESCRIPTION	QUANTITY	ILLUSTRATION
1	Table Top	1	
2	Top Support	2	
3	Table Leg L/R	4	
4	Stretcher	2	
5	Cross Bar	1	
A	JCBB M8x30mm + S/W 5/16" + F/W 5/16" x 22mm	8	
B	Allen Key M5	1	
C	JCBC M6 x 35mm + S/W M6 + F/W M6 x 19mm	8	
D	JCBC M6 x 70mm + S/W M6 + F/W M6 x 13mm	4	
E	Allen Key M4	1	
F	FH Screw #8 x 38mm	4	
G	Wood Dowel M8 x 25mm	4	

ASSEMBLY INSTRUCTIONS

STEP	DESCRIPTION	ILLUSTRATION
1	<p>Slot in Table Leg (3L & 3R) into both Top Support (2) and fix JCBB Bolt (A) and tighten with Allen Key (B). Do not fully tighten the bolts.</p>	
2	<p>Fix both Stretcher (4) at Table Leg (3L & 3R), then fix the JCBB Bolt (A) and tighten it by using Allen Key (B) as shown. Do not fully tighten the bolts.</p>	
3	<p>Fix the Stretcher (4) by using FH Screw (F). Fully tighten by using screwdriver (not provided). Do not fully tighten the screws.</p>	
4	<p>Place the Table Top (1) upside down on a soft surface to avoid any scratches or damaged to the product. Fix Wood Dowel (G) into Top Support (2). Then, fix the Top Support (2) into the designated hole of Wood Dowel.</p>	

5	<p>Fix JCBC Bolt (C) into Table Support (2) and tighten it by using Allen Key (E). Do not fully tighten the bolts.</p>	
6	<p>Fix the Crossbar (5) into Table Top (1) with using JCBC Bolt (D). Tighten it by using Allen Key (E). Fully tighten the bolts and screws now.</p>	
7	<p>With two people turn over the table carefully. Assembly completed.</p>	

ASSEMBLY TIPS:

Please check parts and hardware before assembling. Follow each instruction step by step.
 Place a protective pad or piece of cardboard on the floor while assembling your item on top of it.
 Remove all parts from the carton and separate them into part numbers/groups as indicated on the part list.
 Please follow instructions in the sequence as numbered to assure fast/easy assembly.

WARNING:

Don't attempt to repair or modify parts that are broken or defective - if you find a broken part please contact us for replacement.
 Keep all hardware parts out of the reach of children.

FURNITURE CARE:

Following these few basic steps will help to ensure that you enjoy your furniture for a long time:
 Do not expose your furniture to direct sunlight, dampness or any heat, like a hot cup of coffee or tea. Always use a coaster.
 Excessive exposure to sunlight may cause fading.
 Excessive temperature and humidity or cold may cause cracking or splitting.
 Dust with a clean, damp, lint free cloth.
 Use a damp cloth with water or mild detergent to clean all surfaces - do not use chemicals or paint thinner which will fade the surface.
 Place a piece of felt or a pad under the legs of your furniture to avoid scratching the floor.